




Standard Cable Glands with Thread, Stainless Steel

Stainless steel cable glands with lamellar clamping

- For high quality machines and housings.
- For high quality applications in corrosive environments.
- Applications: Outdoor, food industry, pharmaceutical industry and other sensitive applications.
- Easy assembly: install cable gland - insert cable - tighten cap.
- High quality strain relief and sealing, reliable performance for standard industrial applications.
- Up-to-date international approvals.

Technical Details

| | | | |
|----------------------------------|--|-----------------------------------|---------------------|
| Material | Body, Cap | Stainless steel 1.4305 (AISI 303) | |
| | Seal | CR (Chloroprene) | |
| | Clamping Insert | PA 6 (Polyamide 6) | |
| | O-Ring | NBR | |
| Ingress Protection Rating | IP 68 - 5 Bar, 30 min | | |
| Flammability | V2 according to UL94 | | |
| Operating Temperature | Permanent | | Intermittent |
| | -20 °C to +100 °C | | -40 °C to +150 °C |
| Thread Type | <ul style="list-style-type: none"> • Metric EN 60423 • PG DIN 40430 • NPT ANSI B1.20.1 • Other thread types also available upon request. | | |
| Cable Type | Non armoured | | |
| Accessories | <ul style="list-style-type: none"> • Lock nuts • Dome plugs • Reducing seals • Flat cable seals • Multihole seals • Gaskets (Washers) | | |
| | <ul style="list-style-type: none"> • Different Seal types available. • Manufactured according to DIN EN 62444/50262. • We recommend the use of lock nuts and gaskets to ensure IP rating for rough surfaces or through holes. • Some approvals do not cover all sizes. • Accessories must be ordered separately. • Some approvals do not cover all sizes. • O-ring available in Metric and PG threads as a standard. For NPT threads O-ring available upon request. | | |
| Remarks | <p>Note: Applications of most cable glands don't require same parameters applied to tests. For applications strictly acc. to the approval definitions please consult data sheet.</p> | | |

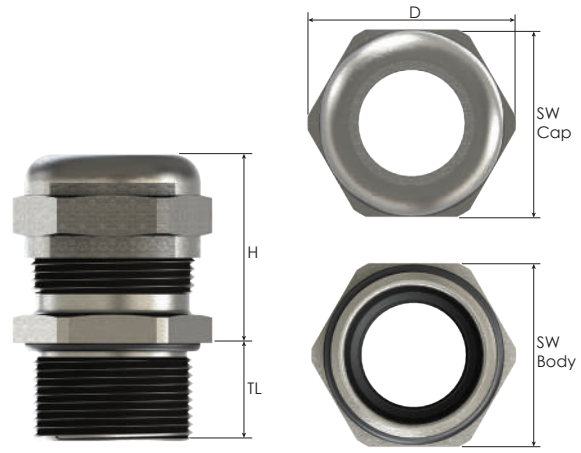
| Approvals | Certificate Number | Standards |
|---|--------------------|--|
|  | 40040034 | DIN EN 62444 |
|  | E199260 | UL514B CSA22.2 No 18.3-12 CSA22.2 No 94.2-15 |
| | | UL50E |
| TYPE 4x | | |
|  | E-14047 | EN62444 |

For more approvals: see our webpage.



| Order Coding | | | |
|--------------|---------------------------------|------------|----------------------------|
| Part Number | Gasket (Washer) | Lock Nut | Sealing Plug |
| Mandatory | - Option | Option | Option |
| See table | - WC Chloroprene WS Silicone | L Lock Nut | P Dome Plug T Dust Plug |
| Example | | | |
| BMSD-04 | - WC | L | P |

Standard Cable Glands with Thread, Stainless Steel






Thread Type **METRIC** acc. to EN 60423

| Outer Thread Size (Male) | Clamping Range Ø min-max mm | Outer Thread Length TL mm | Spanner Width | | Outer Ø D mm | max. Height H mm | Part Number | Minimum Order Quantity |
|--------------------------|--------------------------------|------------------------------|---------------|------|-----------------|---------------------|-------------|------------------------|
| | | | Cap | Body | | | | |
| M12x1,5 | 2,0 - 5,0 | 6,0 | 14 | 14 | 15,5 | 24,0 | BMSD-0S | 1000 |
| | 2,0 - 5,0 | 12,0 | 14 | 14 | 15,5 | 24,0 | BMSE-0SR | 1000 |
| | 3,0 - 6,5 | 6,0 | 14 | 14 | 15,5 | 24,0 | BMSC-0S | 1000 |
| | 3,0 - 6,5 | 12,0 | 14 | 14 | 15,5 | 24,0 | BMSE-ES | 1000 |
| M16x1,5 | 2,0 - 6,0 | 7,0 | 17 | 19 | 21,0 | 25,5 | BMSD-01 | 900 |
| | 2,0 - 6,0 | 12,0 | 17 | 19 | 21,0 | 25,5 | BMSE-01R | 900 |
| | 3,0 - 7,0 | 7,0 | 22 | 22 | 24,5 | 30,5 | BMSD-E1 | 600 |
| | 3,0 - 7,0 | 12,0 | 22 | 22 | 24,5 | 30,5 | BMSE-E1R | 600 |
| | 4,0 - 8,0 | 7,0 | 17 | 19 | 21,0 | 25,5 | BMSC-01 | 900 |
| | 4,0 - 8,0 | 12,0 | 17 | 19 | 21,0 | 25,5 | BMSE-01 | 900 |
| | 5,0 - 10,0 | 7,0 | 22 | 22 | 24,5 | 30,5 | BMSC-E1 | 600 |
| | 5,0 - 10,0 | 12,0 | 22 | 22 | 24,5 | 30,5 | BMSE-E1 | 600 |
| M20x1,5 | 5,0 - 9,0 | 8,0 | 22 | 22 | 24,5 | 26,5 | BMSD-02 | 500 |
| | 5,0 - 9,0 | 12,0 | 22 | 22 | 24,5 | 28,0 | BMSE-E2R | 500 |
| | 6,0 - 12,0 | 8,0 | 22 | 22 | 24,5 | 26,5 | BMSC-02 | 500 |
| | 6,0 - 12,0 | 12,0 | 22 | 22 | 24,5 | 28,0 | BMSE-E2 | 500 |
| | 7,0 - 13,0 | 8,0 | 24 | 24 | 26,5 | 30,5 | BMSC-E2S | 350 |
| | 10,0 - 14,0 | 8,0 | 24 | 24 | 26,5 | 30,0 | BMSC-02S | 350 |
| | 10,0 - 14,0 | 12,0 | 24 | 24 | 26,5 | 30,0 | BMSE-02S | 350 |
| M25x1,5 | 7,0 - 12,0 | 8,0 | 24 | 27 | 30,0 | 30,0 | BMSD-03 | 350 |
| | 7,0 - 12,0 | 12,0 | 24 | 27 | 30,0 | 30,0 | BMSE-03R | 350 |
| | 9,0 - 16,0 | 8,0 | 30 | 30 | 33,0 | 35,0 | BMSD-03S | 200 |
| | 9,0 - 16,0 | 12,0 | 30 | 30 | 33,0 | 35,0 | BMSE-03SR | 200 |
| | 10,0 - 14,0 | 8,0 | 24 | 27 | 30,0 | 30,0 | BMSC-03 | 350 |
| | 10,0 - 14,0 | 12,0 | 24 | 27 | 30,0 | 30,0 | BMSE-03 | 350 |
| | 11,0 - 17,0 | 8,0 | 27 | 27 | 30,0 | 32,5 | BMSC-E3 | 350 |
| | 11,0 - 17,0 | 12,0 | 27 | 27 | 30,0 | 32,5 | BMSE-E3 | 350 |
| | 13,0 - 18,0 | 8,0 | 30 | 30 | 33,0 | 35,0 | BMSC-03S | 200 |
| | 13,0 - 18,0 | 12,0 | 30 | 30 | 33,0 | 35,0 | BMSE-03S | 200 |
| | M32x1,5 | 9,0 - 16,0 | 9,0 | 30 | 36 | 39,8 | 35,0 | BMSD-04 |
| 9,0 - 16,0 | | 15,0 | 30 | 36 | 39,8 | 35,0 | BMSE-04R | 200 |
| 12,0 - 20,0 | | 9,0 | 41 | 41 | 45,5 | 39,5 | BMSD-04S | 100 |
| 12,0 - 20,0 | | 15,0 | 41 | 41 | 45,5 | 39,5 | BMSE-04SR | 100 |
| 13,0 - 18,0 | | 9,0 | 30 | 36 | 39,8 | 35,0 | BMSC-04 | 200 |
| 13,0 - 18,0 | | 15,0 | 30 | 36 | 39,8 | 35,0 | BMSE-04 | 200 |
| 15,0 - 21,0 | | 8,0 | 36 | 36 | 39,8 | 38,0 | BMSC-E4 | 200 |
| 15,0 - 21,0 | | 15,0 | 36 | 36 | 39,8 | 38,0 | BMSE-E4 | 200 |
| 18,0 - 25,0 | | 9,0 | 41 | 41 | 45,5 | 39,5 | BMSC-04S | 100 |
| 18,0 - 25,0 | | 15,0 | 41 | 41 | 45,5 | 39,5 | BMSE-04S | 100 |
| M40x1,5 | 12,0 - 20,0 | 9,0 | 41 | 46 | 51,4 | 40,5 | BMSD-05 | 100 |
| | 12,0 - 20,0 | 15,0 | 41 | 46 | 51,4 | 40,5 | BMSE-05R | 100 |
| | 16,0 - 23,0 | 9,0 | 46 | 46 | 51,4 | 45,5 | BMSC-E5 | 100 |
| | 16,0 - 23,0 | 15,0 | 46 | 46 | 51,4 | 45,5 | BMSE-E5R | 100 |
| | 19,0 - 28,0 | 9,0 | 46 | 46 | 51,4 | 45,5 | BMSC-E5 | 100 |
| | 19,0 - 28,0 | 15,0 | 46 | 46 | 51,4 | 45,5 | BMSE-E5 | 100 |
| | 18,0 - 25,0 | 9,0 | 41 | 46 | 51,4 | 40,5 | BMSC-05 | 100 |
| | 18,0 - 25,0 | 15,0 | 41 | 46 | 51,4 | 40,5 | BMSE-05 | 100 |
| | 22,0 - 32,0 | 9,0 | 50 | 50 | 55,5 | 51,0 | BMSC-05S | 50 |
| 22,0 - 32,0 | 15,0 | 50 | 50 | 55,5 | 51,0 | BMSE-05S | 50 | |
| M50x1,5 | 20,0 - 26,0 | 9,0 | 50 | 55 | 61,0 | 50,0 | BMSD-06 | 50 |
| | 20,0 - 26,0 | 15,0 | 50 | 55 | 61,0 | 50,0 | BMSE-06R | 50 |
| | 22,0 - 32,0 | 9,0 | 50 | 55 | 61,0 | 50,0 | BMSC-06 | 50 |
| | 22,0 - 32,0 | 15,0 | 50 | 55 | 61,0 | 50,0 | BMSE-06 | 50 |
| | 27,0 - 38,0 | 9,0 | 60 | 60 | 66,5 | 54,0 | BMSC-E6 | 40 |
| | 27,0 - 38,0 | 15,0 | 60 | 60 | 66,5 | 54,0 | BMSE-E6 | 40 |
| | 34,0 - 44,0 | 9,0 | 65 | 65 | 71,0 | 55,0 | BMSC-06S | 40 |
| 34,0 - 44,0 | 15,0 | 65 | 65 | 71,0 | 55,0 | BMSE-06S | 40 | |
| M63x1,5 | 29,0 - 35,0 | 10,0 | 65 | 70 | 77,0 | 56,0 | BMSD-E7 | 40 |
| | 29,0 - 35,0 | 14,0 | 65 | 70 | 77,0 | 55,0 | BMSD-07 | 40 |
| | 29,0 - 35,0 | 18,0 | 65 | 70 | 77,0 | 55,0 | BMSE-07R | 40 |
| | 34,0 - 44,0 | 10,0 | 65 | 70 | 77,0 | 56,0 | BMSC-E7 | 40 |
| | 34,0 - 44,0 | 14,0 | 65 | 70 | 77,0 | 55,0 | BMSC-07 | 40 |
| | 34,0 - 44,0 | 18,0 | 65 | 70 | 77,0 | 55,0 | BMSE-07 | 40 |
| | 37,0 - 53,0 | 10,0 | 75 | 75 | 83,0 | 53,0 | BMSC-07S | 20 |
| 37,0 - 53,0 | 18,0 | 75 | 75 | 83,0 | 53,0 | BMSE-07S | 20 | |

Standard Cable Glands with Thread, Stainless Steel

Stainless steel cable glands with lamellar clamping

- For high quality machines and housings.
- For high quality applications in corrosive environments.
- Applications: Outdoor, food industry, pharmaceutical industry and other sensitive applications.
- Easy assembly: install cable gland - insert cable - tighten cap.
- High quality strain relief and sealing, reliable performance for standard industrial applications.
- Up-to-date international approvals.

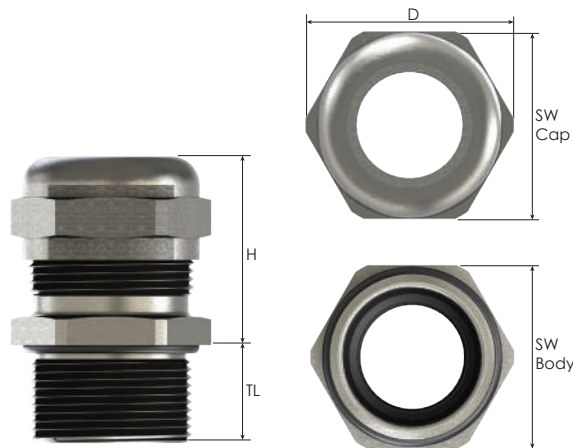
| Technical Details | | |
|---|--|--|
| Material | Body, Cap | Stainless steel 1.4305 (AISI 303) |
| | Seal | CR (Chloroprene) |
| | Clamping Insert | PA 6 (Polyamide 6) |
| | O-Ring | NBR |
| Ingress Protection Rating | IP 68 - 5 Bar, 30 min | |
| Flammability | V2 according to UL94 | |
| Operating Temperature | Permanent | -20 °C to +100 °C |
| | Intermittent | -40 °C to +150 °C |
| Thread Type | <ul style="list-style-type: none"> • Metric EN 60423 • PG DIN 40430 • NPT ANSI B1.20.1 • Other thread types also available upon request. | |
| Cable Type | Non armoured | |
| Accessories | <ul style="list-style-type: none"> • Lock nuts • Dome plugs • Reducing seals • Flat cable seals • Multihole seals • Gaskets (Washers) | |
| | <ul style="list-style-type: none"> • Different seal types available. • Manufactured according to DIN EN 62444/50262. • We recommend the use of lock nuts and gaskets to ensure IP rating for rough surfaces or through holes. • Some approvals do not cover all sizes. • Accessories must be ordered separately. • Some approvals do not cover all sizes. • O-ring available in Metric and PG threads as a standard. For NPT threads O-ring available upon request. | |
| Remarks | <p>Note: Applications of most cable glands don't require same parameters applied to tests. For applications strictly acc. to the approval definitions please consult data sheet.</p> | |
| Approvals | Certificate Number | Standards |
|  | 40040034 | DIN EN 62444 |
|  | E199260 | UL514B CSA22.2 No 18.3-12 CSA22.2 No 94.2-1S |
| | | UL50E |
| TYPE 4x | | |
|  | E-14047 | EN62444 |

For more approvals: see our webpage.



| Order Coding | | | |
|--------------|---------------------------------|------------|----------------------------|
| Part Number | Gasket (Washer) | Lock Nut | Sealing Plug |
| Mandatory | - Option | Option | Option |
| See table | - WC Chloroprene WS Silicone | L Lock Nut | P Dome Plug T Dust Plug |
| Example | | | |
| BMSD-04 | - WC | L | P |

Standard Cable Glands with Thread, Stainless Steel



Thread Type **NPT** acc. to ANSI B1.20.1

| Outer Thread Size (Male) | Clamping Range Ø min-max mm | Outer Thread Length TL mm | Spanner Width | | Outer Ø D mm | max. Height H mm | Part Number | Minimum Order Quantity |
|--------------------------|--------------------------------|------------------------------|------------------|--------------------|-----------------|---------------------|-------------|------------------------|
| | | | Cap SW Cap mm | Body SW Body mm | | | | |
| NPT 3/8" | 2,0 - 6,0 | 11,5 | 17 | 19 | 21,0 | 25,5 | BNSD-01 | 900 |
| | 3,0 - 7,0 | 11,5 | 22 | 20 | 24,0 | 31,5 | BNSD-01S | 600 |
| | 4,0 - 8,0 | 11,5 | 17 | 19 | 21,0 | 25,5 | BNSC-01 | 900 |
| | 5,0 - 10,0 | 11,5 | 22 | 20 | 24,0 | 31,5 | BNSC-01S | 600 |
| NPT 1/2" | 5,0 - 9,0 | 13,0 | 22 | 27 | 30,0 | 31,0 | BNSD-02 | 500 |
| | 6,0 - 12,0 | 13,0 | 22 | 27 | 30,0 | 31,0 | BNSC-02 | 500 |
| | 7,0 - 12,0 | 13,0 | 24 | 24 | 26,5 | 30,0 | BNSD-02S | 350 |
| NPT 3/4" | 9,0 - 16,0 | 13,0 | 30 | 30 | 33,0 | 38,0 | BNSD-03 | 200 |
| | 13,0 - 18,0 | 13,0 | 30 | 30 | 33,0 | 38,0 | BNSC-03 | 200 |
| | 12,0 - 20,0 | 13,0 | 41 | 41 | 45,5 | 45,5 | BNSD-04 | 100 |
| NPT 1" | 18,0 - 25,0 | 13,0 | 41 | 41 | 45,5 | 45,5 | BNSC-04 | 100 |
| | 22,0 - 32,0 | 25,6 | 50 | 50 | 55,5 | 51,0 | BNSC-05 | 50 |
| NPT 1 1/2" | 30,0 - 38,0 | 26,0 | 60 | 60 | 66,5 | 50,0 | BNSC-06 | 40 |
| NPT 2" | 34,0 - 44,0 | 27,0 | 65 | 65 | 72,0 | 55,0 | BNSC-07 | 40 |

Thread Type **PG** acc. to DIN 40430

| Outer Thread Size (Male) | Clamping Range Ø min-max mm | Outer Thread Length TL mm | Spanner Width | | Outer Ø D mm | max. Height H mm | Part Number | Minimum Order Quantity |
|--------------------------|--------------------------------|------------------------------|------------------|--------------------|-----------------|---------------------|-------------|------------------------|
| | | | Cap SW Cap mm | Body SW Body mm | | | | |
| PG 7 | 2,0 - 5,0 | 6,0 | 14 | 14 | 15,5 | 24,0 | BSSD-01 | 1000 |
| | 2,0 - 5,0 | 10,0 | 14 | 14 | 15,5 | 24,0 | BSSE-01R | 1000 |
| | 3,0 - 6,5 | 6,0 | 14 | 14 | 15,5 | 24,0 | BSSC-01 | 1000 |
| | 3,0 - 6,5 | 10,0 | 14 | 14 | 15,5 | 24,0 | BSSE-01 | 1000 |
| PG 9 | 2,0 - 6,0 | 6,0 | 17 | 19 | 21,0 | 25,5 | BSSD-02 | 900 |
| | 2,0 - 6,0 | 10,0 | 17 | 19 | 21,0 | 25,5 | BSSE-02R | 900 |
| | 4,0 - 8,0 | 6,0 | 17 | 19 | 21,0 | 25,5 | BSSC-02 | 900 |
| PG 11 | 4,0 - 8,0 | 10,0 | 17 | 19 | 21,0 | 25,5 | BSSE-02 | 900 |
| | 3,0 - 7,0 | 6,0 | 22 | 22 | 24,0 | 27,5 | BSSD-03 | 600 |
| | 3,0 - 7,0 | 10,0 | 22 | 22 | 24,0 | 27,5 | BSSE-03R | 600 |
| PG 13,5 | 5,0 - 10,0 | 6,0 | 22 | 22 | 24,0 | 27,5 | BSSC-03 | 600 |
| | 5,0 - 10,0 | 10,0 | 22 | 22 | 24,0 | 27,5 | BSSE-03 | 600 |
| | 5,0 - 9,0 | 6,5 | 22 | 22 | 24,0 | 26,0 | BSSD-04 | 500 |
| | 5,0 - 9,0 | 10,0 | 22 | 22 | 24,0 | 26,0 | BSSE-04R | 500 |
| PG 16 | 6,0 - 12,0 | 6,5 | 22 | 22 | 24,0 | 26,0 | BSSC-04 | 500 |
| | 6,0 - 12,0 | 10,0 | 22 | 22 | 24,0 | 26,0 | BSSE-04 | 500 |
| | 7,0 - 12,0 | 6,5 | 24 | 24 | 26,5 | 30,0 | BSSD-05 | 400 |
| | 7,0 - 12,0 | 10,0 | 24 | 24 | 26,5 | 30,0 | BSSE-05R | 400 |
| PG 21 | 10,0 - 14,0 | 6,5 | 24 | 24 | 26,5 | 30,0 | BSSC-05 | 400 |
| | 10,0 - 14,0 | 10,0 | 24 | 24 | 26,5 | 30,0 | BSSE-05 | 400 |
| | 9,0 - 16,0 | 7,2 | 30 | 30 | 33,0 | 35,0 | BSSD-06 | 200 |
| PG 29 | 9,0 - 16,0 | 12,0 | 30 | 30 | 33,0 | 35,0 | BSSE-06R | 200 |
| | 13,0 - 18,0 | 7,2 | 30 | 30 | 33,0 | 35,0 | BSSC-06 | 200 |
| | 13,0 - 18,0 | 12,0 | 30 | 30 | 33,0 | 35,0 | BSSE-06 | 200 |
| | 12,0 - 20,0 | 8,0 | 41 | 41 | 45,5 | 40,5 | BSSD-07 | 100 |
| PG 36 | 12,0 - 20,0 | 12,0 | 41 | 41 | 45,5 | 40,5 | BSSE-07R | 100 |
| | 18,0 - 25,0 | 8,0 | 41 | 41 | 45,5 | 40,5 | BSSC-07 | 100 |
| | 18,0 - 25,0 | 12,0 | 41 | 41 | 45,5 | 40,5 | BSSE-07 | 100 |
| PG 42 | 20,0 - 26,0 | 9,0 | 50 | 50 | 55,5 | 50,0 | BSSD-08 | 50 |
| | 20,0 - 26,0 | 14,0 | 50 | 50 | 55,5 | 50,0 | BSSE-08R | 50 |
| | 22,0 - 32,0 | 9,0 | 50 | 50 | 55,5 | 50,0 | BSSC-08 | 50 |
| | 22,0 - 32,0 | 14,0 | 50 | 50 | 55,5 | 50,0 | BSSE-08 | 50 |
| PG 48 | 25,0 - 31,0 | 12,0 | 60 | 60 | 66,5 | 51,0 | BSSD-09 | 40 |
| | 25,0 - 31,0 | 16,0 | 60 | 60 | 66,5 | 51,0 | BSSE-09R | 40 |
| | 30,0 - 38,0 | 12,0 | 60 | 60 | 66,5 | 51,0 | BSSC-09 | 40 |
| | 30,0 - 38,0 | 16,0 | 60 | 60 | 66,5 | 51,0 | BSSE-09 | 40 |
| PG 48 | 29,0 - 35,0 | 14,0 | 65 | 65 | 72,0 | 54,5 | BSSD-10 | 40 |
| | 29,0 - 35,0 | 18,0 | 65 | 65 | 72,0 | 54,5 | BSSE-10R | 40 |
| | 34,0 - 44,0 | 14,0 | 65 | 65 | 72,0 | 54,5 | BSSC-10 | 40 |
| | 34,0 - 44,0 | 18,0 | 65 | 65 | 72,0 | 54,5 | BSSE-10 | 40 |